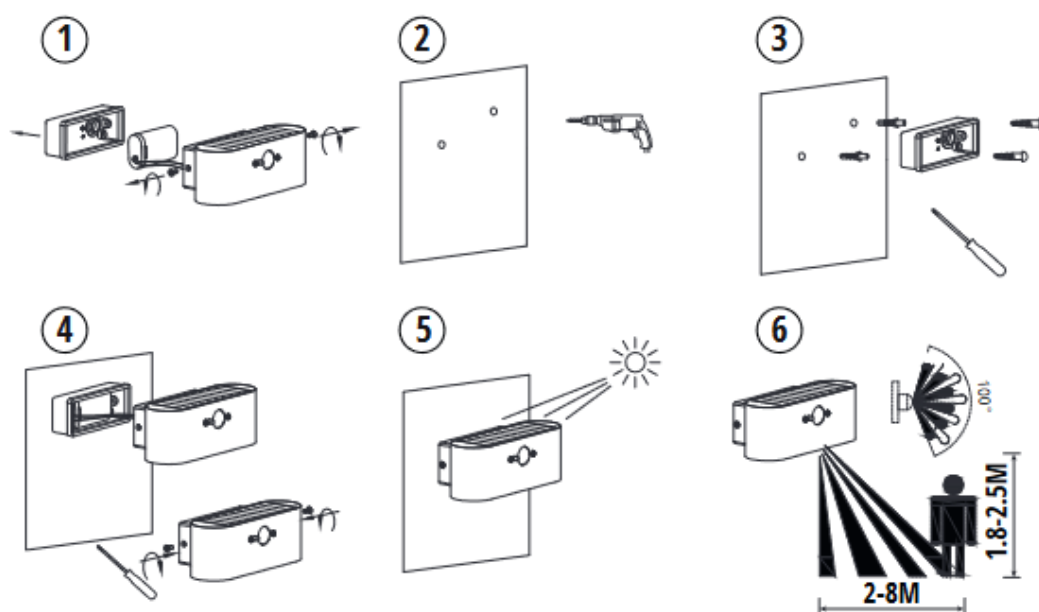


EN Product: LED SOLARIS 2,5W, 90°, 4000K, IP 44

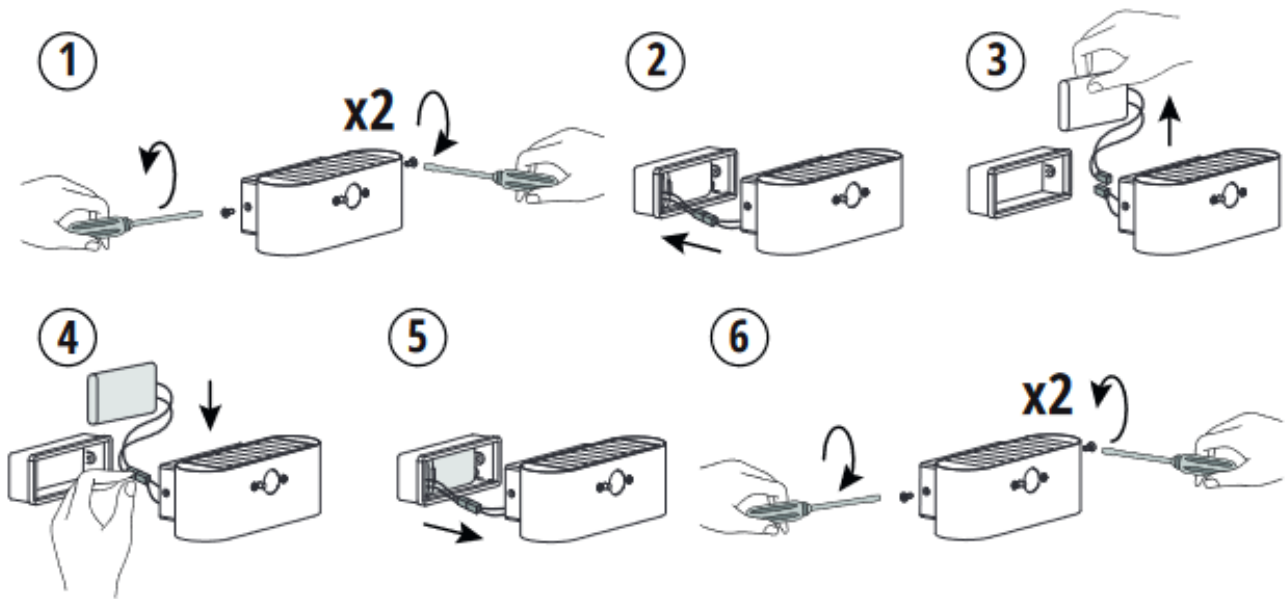
Dear customer. Thank you for your purchase, please read the following instruction carefully before using this product.

TECHNICAL DATA

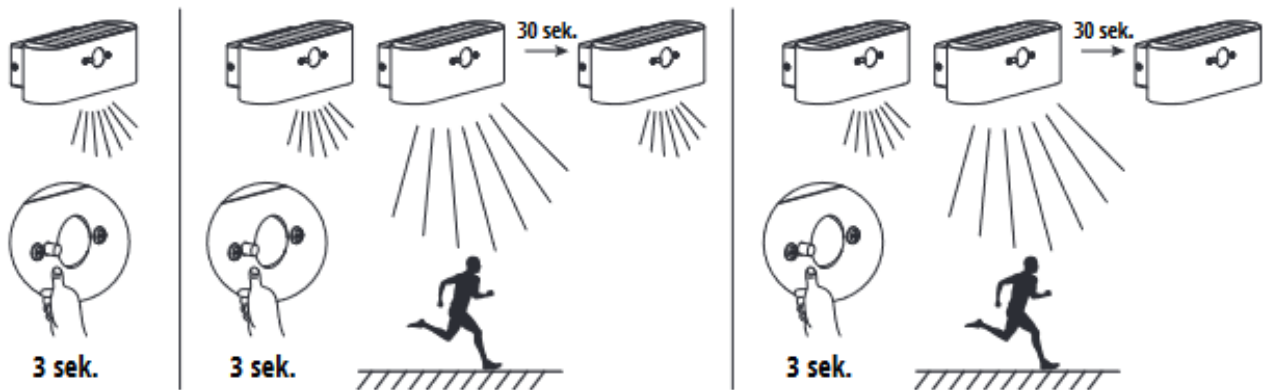
Product name	LED SOLARIS
Dimensions	181x91x66mm
Color temperature	4000K
Battery	Replaceable Li-ion; 3,7V / 2000mAh
Photovoltaic power	0,85Wp
Power consumption	2,5W
Luminous flux	140lm
Lighting angle	90°
Durability of lighting time	10 000h
Tightness class	IP 44
Angle range of panel movement	120°
Motion sensor detection area	do 6m
Detection angle of motion sensor	120°
Warranty	24 months (12 months for battery)

INSTALLATION

BATTERY REPLACEMENT



MODES OF OPERATION



TECHNICAL NOTES

1. Please note that there is very little risk of battery explosion due to its lithium-ion construction.
2. The solar panel should be placed in a place where it absorbs enough sunlight.
3. Please note that the maximum lighting time of the LED floodlight will vary depending on the time of absorption and the intensity of sunlight.
4. The floodlight automatically switches on at dusk (unless it is turned off remotely with Off button by the user).
5. The floodlight is equipped with an internal, replaceable battery. If you need to replace it, please contact the seller to choose the correct one.
6. In order to activate the floodlight after replugging battery, place the solar panel to the direction of sunlight.

USAGE NOTES

1. It is not allowed to use a different solar module than the one that is originally included with floodlight. Any changes related to this may result in personal injury and will invalidate the product's warranty.
2. Remember to clean the motion sensor from dust and sediment with a damp cloth from time to time.
3. It is also recommended to periodically clean the solar module shell. A dirty cell can reduce photovoltaic efficiency.
4. In both cases, in order to avoid discoloration on the casing, do not use strong cleaning agents, eg alcohol-based.

